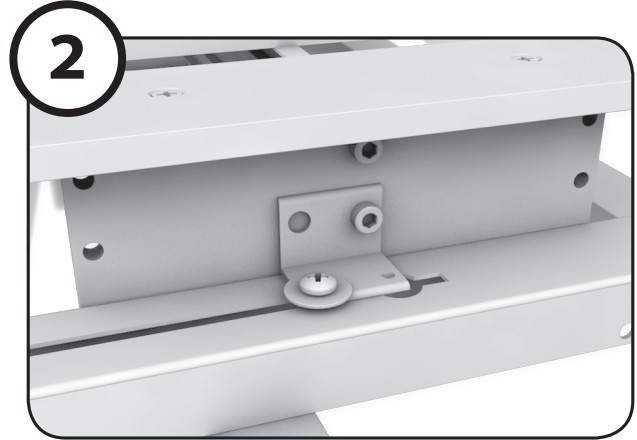
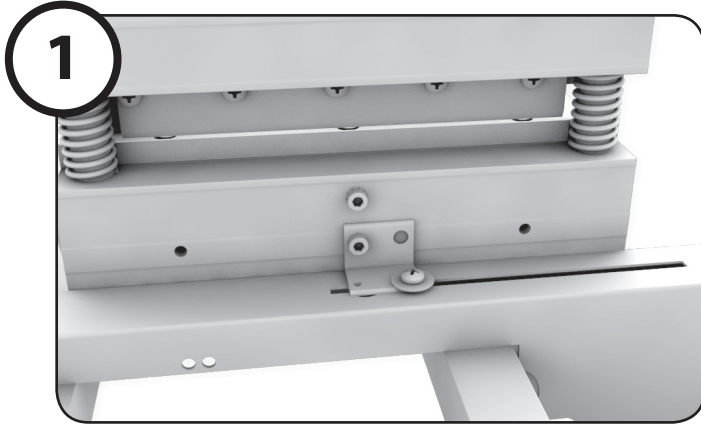


# 200MB INSTALLATION

**1. Attach mounting brackets to power assembly base with existing fasteners, as shown.**

**2. Attach mounting brackets to machine foot with existing fasteners, as shown.**



Note: This kit is used for multiple shear models Your shear may not use all of the parts included.

Questions? Call us at 208-772-0175

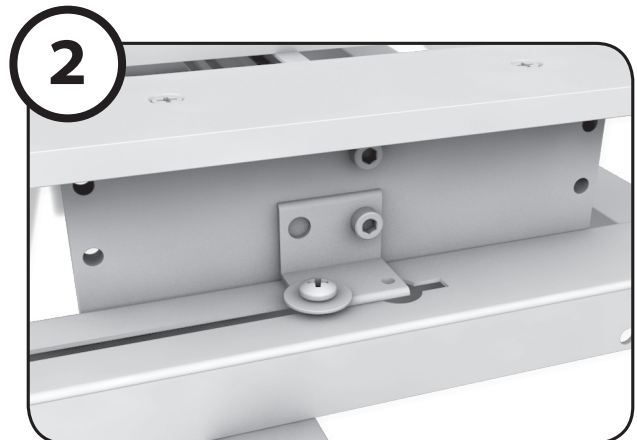
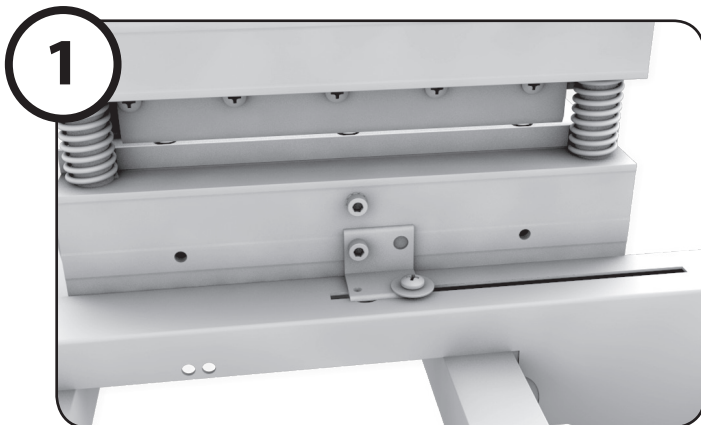


PRT-INS-20MB.RevD.10.18 ©2018 Bullet Tools

# 200MB INSTALLATION

**1. Attach mounting brackets to power assembly base with existing fasteners, as shown.**

**2. Attach mounting brackets to machine foot with existing fasteners, as shown.**



Note: This kit is used for multiple shear models Your shear may not use all of the parts included.

Questions? Call us at 208-772-0175



PRT-INS-20MB.RevD.10.18 ©2018 Bullet Tools